

# MSR241P

## Description

The MSR241P is a DeviceNet™ communications module for the modular Minotaur MSR200 family of monitoring safety relays. It can be connected to either the MSR210P, MSR211P, or MSR230P modules to provide diagnostic and I/O status information to remote locations.

The MSR241P is connected via the flat ribbon cable to the base module or the last connected expansion module, depending on the system configuration. Data transfer and power supply are routed through the same bus cable and connectors.

The MSR241P has two nonsafety rated relay outputs that are activated with the last two bits of the one input byte.

The baud rate and address is set by means of the dipswitch on the front panel.

The connected supervisory monitoring or data acquisition system can process and store the data, display it, and record the reason causing a shutdown, along with the time and date of each such occurrence. This makes fault diagnosis much easier.



## Features

- DeviceNet™ data transmission
- Switch selectable baud rates: 125 K, 250 K, 500 K
- Switch selectable address
- 45 mm DIN Rail housing
- Four diagnostic LEDs
- Removable terminals
- Group two only slave

## LED Indicators

Green	K1 Active
Green	K2 Active
Green	Module Status Operative Network Status
Green	Online
Red	Critical Connection Error
Blinking Green	Connection Interrupted
Blinking Red	Connection Timed Out

## Specifications

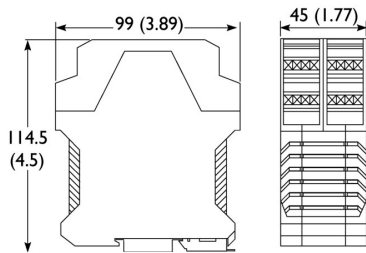
Safety Ratings	
Standards	IEC/EN 60204-1, ISOTR 12100, ISO 13849-0
Certifications	CE Marked for all applicable directives
Power Supply	
Input Power Entry	24V DC from the base unit
Power Consumption	2 W
Outputs	
Auxiliary Contacts	2 N.O.
Thermal Current $I_{th}$	2 A @ 30V DC, 300 mA @ 110V DC, 500 mA @ 125V DC
Rated Impulse withstand Voltage	60 W max. switching voltage
Switching Current @ Voltage, Min.	10 mA @ 10V DC
Environmental and Physical Characteristics	
Enclosure Type Rating/ Terminal Protection	IP40 (NEMA 1)/ IP20
Operating Temperature [C (F)]	-5...+50 ° (23...122 °)
Vibration	10...55 Hz, 0.35 mm
Shock	10 g, 16 ms, 100 shocks
Mounting	35 mm DIN Rail
Weight [g (lb)]	180 (0.396)
Conductor Size, Max.	0.2...2.5 mm (24...12 AWG)

## Product Selection

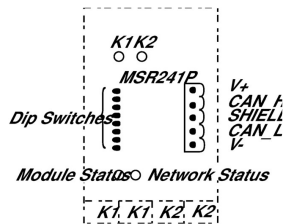
Interface Type	Cat. No.
DeviceNet™	440R-H23187

## Approximate Dimensions

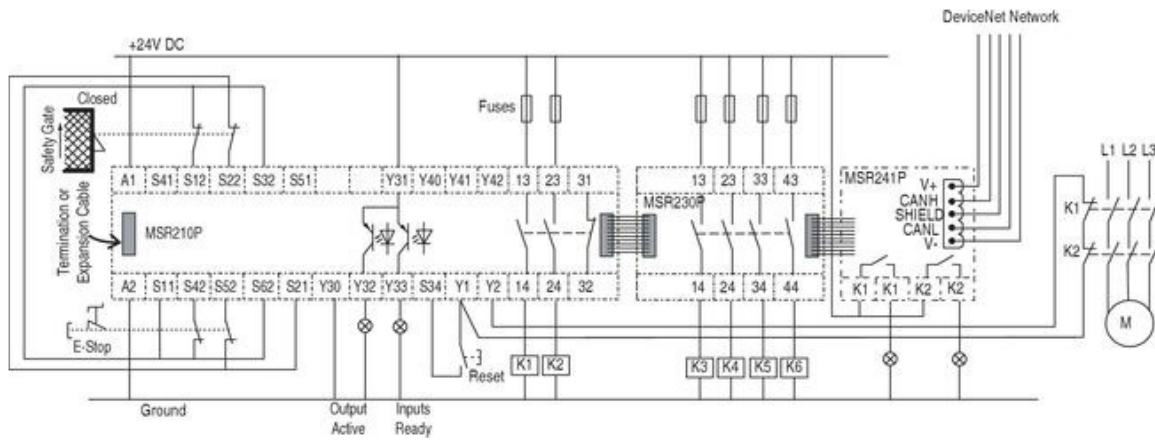
Dimensions are shown in mm (in.). Dimensions are not intended to be used for installation purposes.



## Block Diagram



## Typical Wiring Diagrams



### Switch Settings

Switch	125K	250K	500K
1	0	0	1
2	0	1	0
3	Bit 5	Switches 3-8 set the node address	
4	Bit 4		
5	Bit 3		
6	Bit 2		
7	Bit 1		
8	Bit 0		